



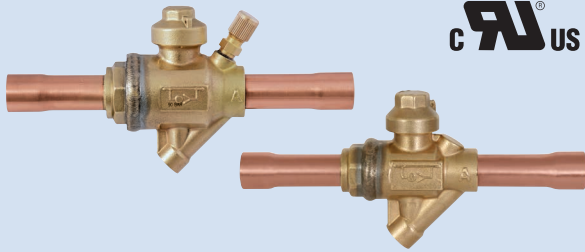
SPORLAN

Ball Valve with Integral Pressure Relief

Type EBV(T)-PR



ENGINEERING YOUR SUCCESS.



BALL VALVE WITH INTEGRAL PRESSURE RELIEF EBV(T)-PR Series

For greater system design flexibility and increased productivity, specify the **EBV(T)-PR Ball Valve with Integrated Pressure Relief**. This compact solution eliminates the check valve and associated brazing involved when piping a ball valve and check valve in parallel to protect a system from over pressurization.

- Compact design **simplifies installation**
- Eliminates the check valve and associated piping, resulting in significant **material cost savings**
- Decreases braze joints resulting in **labor savings and increased productivity**
- Minimizes the potential for leaks and decreases nuisance call-backs

FEATURES

- Allows for positive shut-off in one direction and flow in the other direction whenever pressure differential is present. (The integrated pressure relief feature is one direction only.)
- Protects system from pressure spikes when servicing equipment.
- Welded body joint. Factory tested to ensure positive, leak-free performance. Forged brass body construction with extended copper fittings. Optional access fitting versions available.
- Full size ports for unrestricted flow on most sizes, 3/8" (10 mm) through 1-1/8" (28 mm).
- Dual Teflon seals surround the polished, brass ball to prevent leakage. Stem seal and stem washer provide the primary stem seal. Bottom load stem for safety.

- Stainless steel stop plate ensures fully open to fully closed with a 1/4 turn.
- All EBV(T)-PR ball valves may be installed in any position.
- All EBV(T)-PR ball valves use C19400 (K65) copper fitting material.

SPECIFICATIONS

- Continuous temperature range: -40 deg F to 248 deg F (-40 deg C to 120 deg C)
- Installation temperature (15 minutes max.) limit: 300 deg F (149 deg C)
- Design working pressure: 1,305 psig (90 barg)
- Integral Pressure Relief
 - Crack open pressure: <5 psid
 - Full open pressure: 50 psid
 - Wide open flow: 1.93 gpm H₂O @ 50 psid
- For refrigeration or air conditioning systems
- Suitable for use with Class A1 refrigerants: HFC, HCFC, HFO (nontoxic and nonflammable), and CO₂.
- U.S. Patent 10,107,406; EP3295067; and other International Patents Pending
- U.L. Recognized, File No SA5460 (SFJQ2)
- CE and RoHS Compliant
- Date code is YYMMDD

The EBV(T)-PR valve will close in one direction and relieve pressure in the other direction. This single valve would replace a current ball valve plus a check valve plumbed around the ball valve. Allows evaporator coil to be isolated without over pressurizing due to warm up. May also have needs in loop piping and at the rack.

The symbol 'A' indicates the pressure relief side of the valve. Any pressure build up on the 'A' side with the ball valve in the closed position can relieve to the other side of the ball valve. When used on an evaporator coil, the 'A' side of the valve should always be on the coil side of the valve.



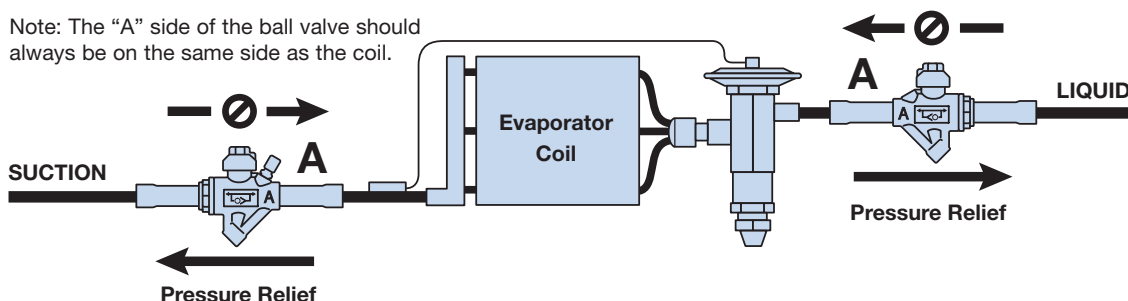
(See Figure 1.)

This symbol indicates the direction of pressure relief and direction of check valve feature. Flow from left to right is check direction. Flow from right to left is pressure relief direction.

IMPORTANT: This valve has a pressure relief feature in one direction only. If installed incorrectly, pressures may drastically increase causing rupture of valve, piping and/or other components exposed to such pressure. This could cause damage to equipment and cause injury or possible death to anyone in the area.

Figure 1 - Valve Closed for Evaporator Service

Note: The "A" side of the ball valve should always be on the same side as the coil.



DIMENSIONS

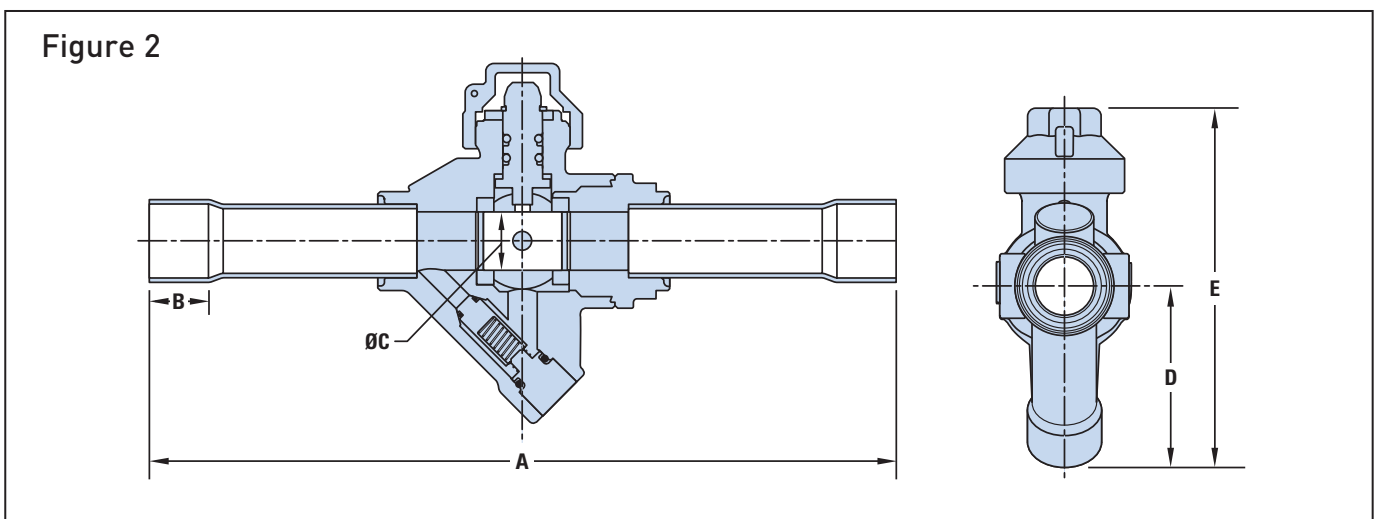
EBV(T)-PR Series - Inches

Part Number	Model Number	Connection (ODF)	Overall Length A	Socket Depth B	Port Size C	D	Overall Height E	Cv
502199	EBV-PR1030	3/8	6.50	0.31	0.50	1.56	3.08	4.3
502200	EBV-PR1040	1/2	6.50	0.38	0.50	1.56	3.08	7.0
502201	EBV-PR1050	5/8	6.50	0.50	0.50	1.56	3.08	13.9
502202	EBV-PR1060	3/4	7.25	0.61	0.75	1.79	3.59	21.0
502203	EBV-PR1070	7/8	7.25	0.75	0.75	1.79	3.59	30.3
502204	EBV-PR1090	1-1/8	8.50	0.91	1.00	2.13	4.11	61.3
502205	EBVT-PR1030*	3/8	6.50	0.31	0.50	1.56	3.08	4.3
502206	EBVT-PR1040*	1/2	6.50	0.38	0.50	1.56	3.08	7.0
502207	EBVT-PR1050*	5/8	6.50	0.50	0.50	1.56	3.08	13.9
502208	EBVT-PR1060*	3/4	7.25	0.61	0.75	1.79	3.59	21.0
502209	EBVT-PR1070*	7/8	7.25	0.75	0.75	1.79	3.59	30.3
502210	EBVT-PR1090*	1-1/8	8.50	0.91	1.00	2.13	4.11	61.3

EBV(T)-PR Series - Millimeters

Part Number	Model Number	Connection (ODF)	Overall Length A	Socket Depth B	Port Size C	D	Overall Height E	Kv
502399	EBV-PR 10MM	10 mm	165.1	8	12.7	39.6	78.2	3.7
502400	EBV-PR 12MM	12 mm	165.1	10	12.7	39.6	78.2	6.0
502401	EBV-PR 16MM	16 mm	165.1	13	12.7	39.6	78.2	12.0
502402	EBV-PR 18MM	18 mm	184.1	17	19.1	45.5	91.3	18.1
502403	EBV-PR 22MM	22 mm	184.1	20	19.1	45.5	91.3	26.2
502405	EBV-PR 28MM	28 mm	216.0	24	25.4	54.2	104.3	53.0
502406	EBVT-PR 10MM*	10 mm	165.1	8	12.7	39.6	78.2	3.7
502407	EBVT-PR 12MM*	12 mm	165.1	10	12.7	39.6	78.2	6.0
502408	EBVT-PR 16MM*	16 mm	165.1	13	12.7	39.6	78.2	12.0
502409	EBVT-PR 18MM*	18 mm	184.1	17	19.1	45.5	91.3	18.1
502410	EBVT-PR 22MM*	22 mm	184.1	20	19.1	45.5	91.3	26.2
502411	EBVT-PR 28MM*	28 mm	216.0	24	25.4	54.2	104.3	53.0

* With access fitting.



NOMENCLATURE

Inches - Example: EBVT-PR1030

EBV	T	-	PR	1	03	0
Valve Type	Access Fitting	Pressure Relief	Series: 1 = Full Port, 2 = Reduced Port	Fitting Size: (In eighths of an inch): 03 = 3/8"	Fitting Configuration: 0 = ODF x ODF	

Millimeters - Example: EBVT-PR 12MM

EBV	T	-	PR	12mm
Valve Type	Access Fitting	Pressure Relief	Metric Fitting Size	Fitting Configuration: ODF x ODF

INSTALLATION

Brazing Instructions

1. **DO NOT DISASSEMBLE.**
2. **WRAP THE BODY OF THE VALVE WITH A WET RAG** (to dissipate heat-overheating causes damage).
3. Bleed dry nitrogen or CO₂ through the valve while brazing.
4. Use flux with silver brazing alloys.
5. Flux not required with phosphor alloys, on copper to copper joints, but flux is recommended for deeper penetration and more uniform results with all alloys.
6. Use large enough torch to rapidly heat joint to brazing temperature. Direct flame away from existing copper to brass joints.
7. Quench to reduce heat spread after brazing.

OPERATION NOTES

1. Remove seal cap. **CAUTION:** Pressure may be under seal cap, remove slowly.
2. Rotate stem using adjustable wrench. Turn 90° against the mechanical stops. Align open arrow with refrigerant line for non-directional flow. Turn clock-wise to close; counter-clockwise to open.
3. This valve contains mechanical stops. **DO NOT USE EXCESSIVE FORCE AGAINST STOPS OR PERMANENT DAMAGE MAY OCCUR.**
4. Install seal cap.
5. Valves are designed for use with Class A1 refrigerants: HFC, HCFC, HFO (nontoxic and nonflammable), and CO₂.

REPLACEMENT STEM CAPS

Connection	Part Number
3/8 - 5/8	183390
3/4 - 1-1/8	183391

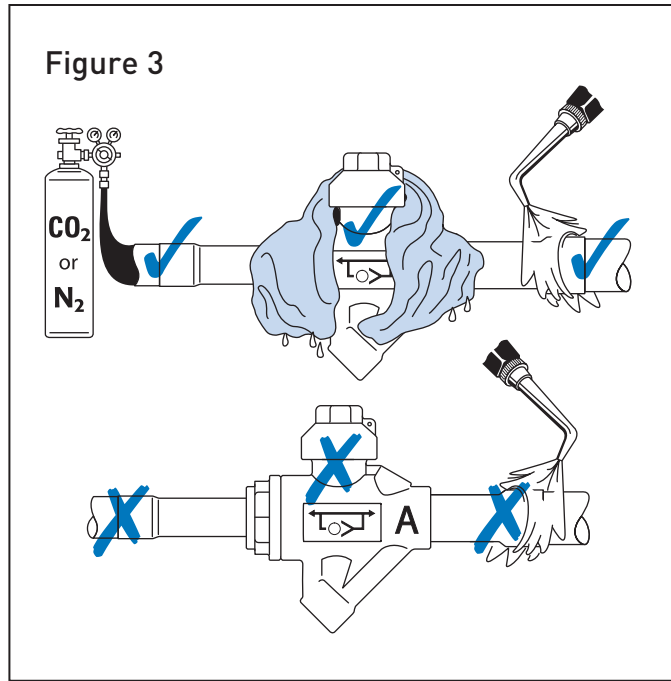


Figure 3

NOTICE:
DO NOT DISASSEMBLE VALVE FOR ANY REASON.
IF THE STOP PLATE IS DAMAGED OR MISSING,
REMOVE THE VALVE FROM SERVICE.

NOTE:
WARRANTY IS VOID IF THESE INSTRUCTIONS ARE NOT FOLLOWED.

⚠ WARNING – USER RESPONSIBILITY

Failure or improper selection or improper use of the products described herein or related items can cause death, personal injury and property damage.

This document and other information from Parker Hannifin Corporation, its subsidiaries and authorized distributors provide product or system options for further investigation by users having technical expertise.

The user, through its own analysis and testing, is solely responsible for making the final selection of the system and components and assuring that all performance, endurance, maintenance, safety and warning requirements of the application are met. The user must analyze all aspects of the application, follow applicable industry standards, and follow the information concerning the product in the current product catalog and in any other materials provided from Parker or its subsidiaries or authorized distributors.

To the extent that Parker or its subsidiaries or authorized distributors provide component or system options based upon data or specifications provided by the user, the user is responsible for determining that such data and specifications are suitable and sufficient for all applications and reasonably foreseeable uses of the components or systems.

OFFER OF SALE

The items described in this document are hereby offered for sale by Parker Hannifin Corporation, its subsidiaries or its authorized distributors. This offer and its acceptance are governed by the provisions stated in the detailed "Offer of Sale" elsewhere in this document or available at www.parker.com.

For safety information see the Safety Guide at www.parker.com/safety or call 1-800-CParker.

